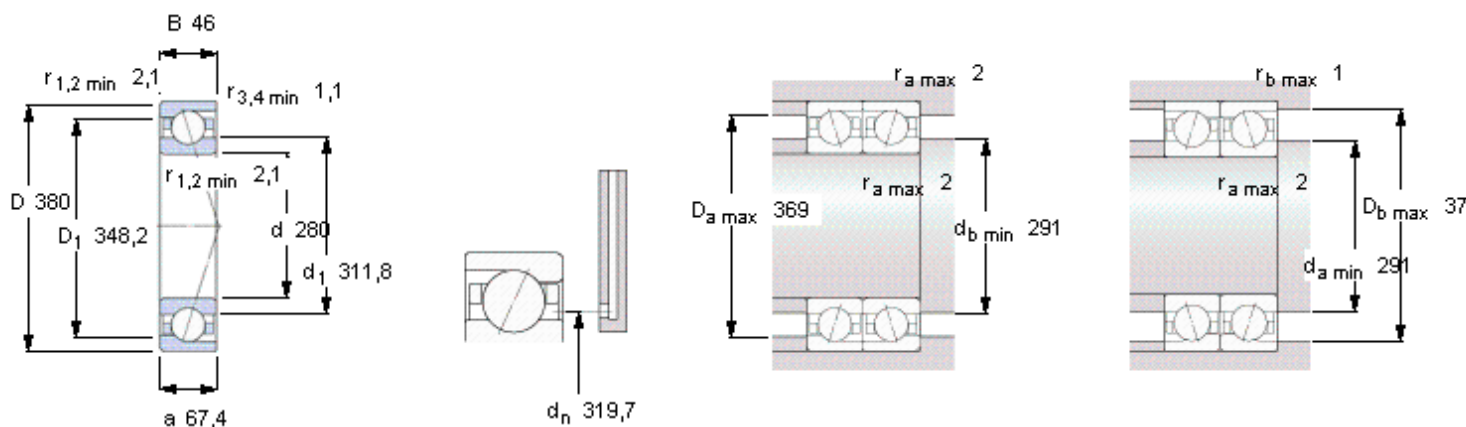


SKF 71956 CD/HCP4A参数

主要尺寸	d	280	mm	-
	D	380	mm	-
	B	46	mm	-
基本额定载荷	C	291000	N	动载荷
	C_0	455000	N	静载荷
疲劳载荷极限	P_u	10600	N	-
可达转速	Grease	4000	r/min	-
	Oil-air	5600	r/min	-
重量	重量	11000	g	-
型号	型号	71956 CD/HCP4A	-	-

SKF 71956 CD/HCP4A图片



Ball diameter 30,162

Number of balls 31

未安装时的预载荷 [N]

背对背配置，面对面配置

预载荷等级

A	B	C	D
1090	2180	4360	8720

Static axial stiffness [N/μm]

(guideline value)

预载荷等级

A	B	C	D
295	403	565	822

Reference grease quantity [cm³]

G_{ref} 159

计算系数

for equivalent bearing load

f_0 16,7

for preload in mounted bearing sets

f 1,27

f_1 1

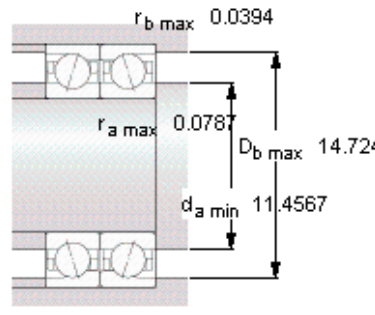
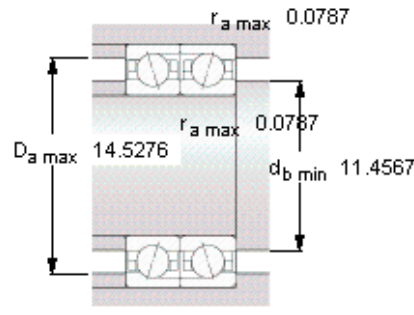
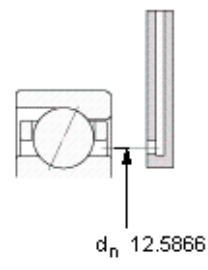
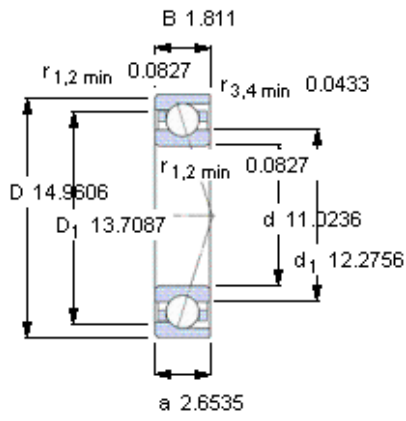
f_{2A} 1

f_{2B} 1,07

f_{2C} 1,12

f_{2D} 1,18

f_{HC} 1,04



Ball diameter 30,162
Number of balls 31

未安装时的预载荷 [N]
 背对背配置，面对面配置
 预载荷等级

A	B	C	D
1090	2180	4360	8720

Static axial stiffness [N/μm]
 (guideline value)

预载荷等级

A	B	C	D
295	403	565	822

Reference grease quantity [cm³]
 G_{ref} 159

计算系数
for equivalent bearing load
 f₀ 16,7

for preload in mounted bearing sets
 f 1,27
 f₁ 1
 f_{2A} 1
 f_{2B} 1,07
 f_{2C} 1,12
 f_{2D} 1,18
 f_{HC} 1,04