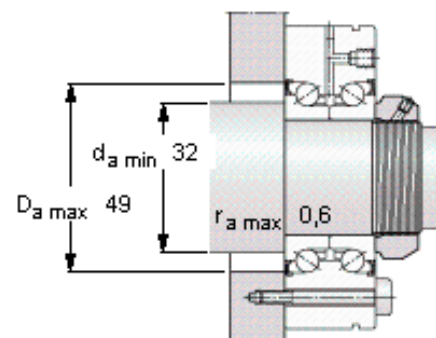
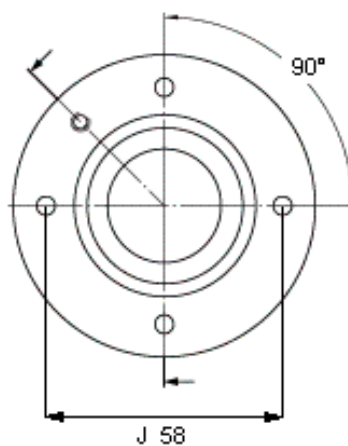
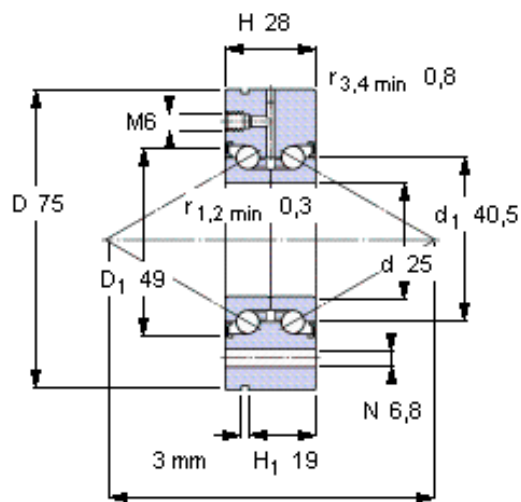


SKF BEAM 025075-2RZ/PE参数

主要尺寸	d	25	mm	-
	D	75	mm	-
	H	28	mm	-
基本额定载荷	C	27600	N	动载荷
	C_0	55000	N	静载荷
疲劳载荷极限	P_u	2040	N	-
可达转速	Attainable speed	5600	r/min	-
重量	重量	720	g	-
型号	型号	BEAM 025075-2RZ/PE	-	-

SKF BEAM 025075-2RZ/PE图片



Preload¹⁾ [N]

1920

Frictional moment¹⁾ [Nm]

(guideline value)

0,2

¹⁾ Values apply to unmounted bearings

Static stiffness¹⁾

(guideline values)

Axial [N/μm] 770

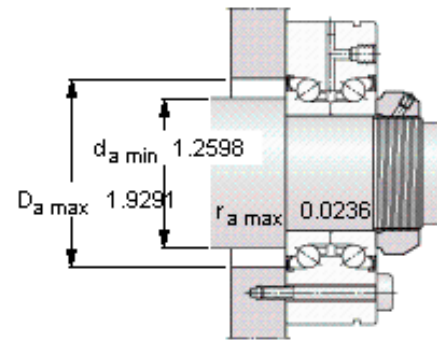
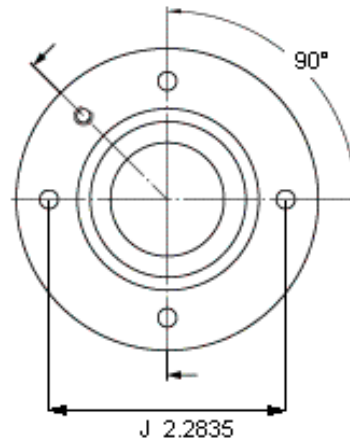
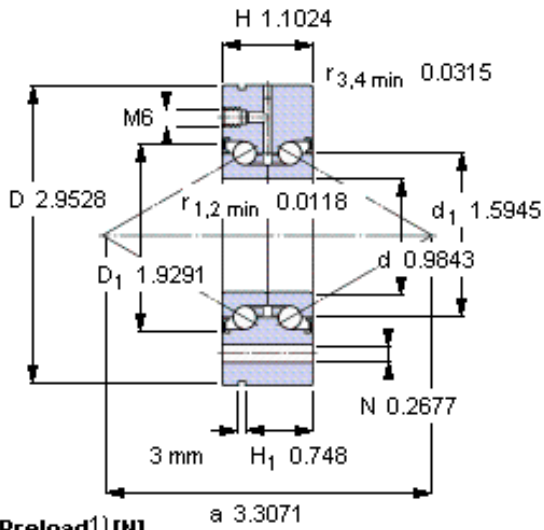
Moment [Nm/mrad] 200

Required attachment bolts

(no. of bolts x pitch)

4 x 90°

参考资料: <http://www.sozhou.com/p/ef19120a.html>



Preload¹⁾ [N]

1920

Frictional moment¹⁾ [Nm]

(guideline value)

0,2

¹⁾ Values apply to unmounted bearings

Static stiffness¹⁾

(guideline values)

Axial [N/μm] 770

Moment [Nm/mrad] 200

Required attachment bolts

(no. of bolts x pitch)

4 x 90°