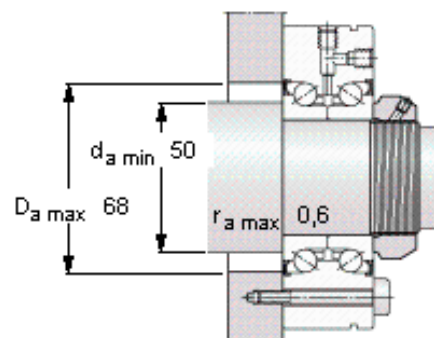
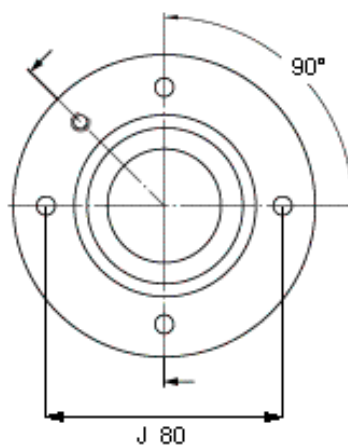
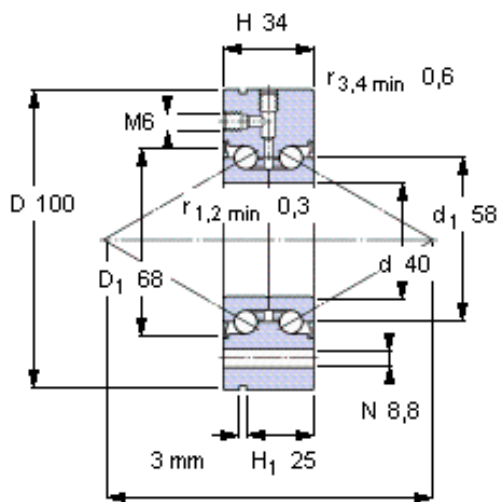


SKF BEAM 040100-2RS参数

主要尺寸	d	40	mm	-
	D	100	mm	-
	H	34	mm	-
基本额定载荷	C	43600	N	动载荷
	C_0	102000	N	静载荷
疲劳载荷极限	P_u	3750	N	-
可达转速	Attainable speed	2200	r/min	-
重量	重量	1450	g	-
型号	型号	BEAM 040100-2RS	-	-

SKF BEAM 040100-2RS图片



Preload¹⁾ [N]

2250

Frictional moment¹⁾ [Nm]

(guideline value)

0,7

¹⁾ Values apply to unmounted bearings

Static stiffness¹⁾

(guideline values)

Axial [N/μm]

2250

Moment [Nm/mrad]

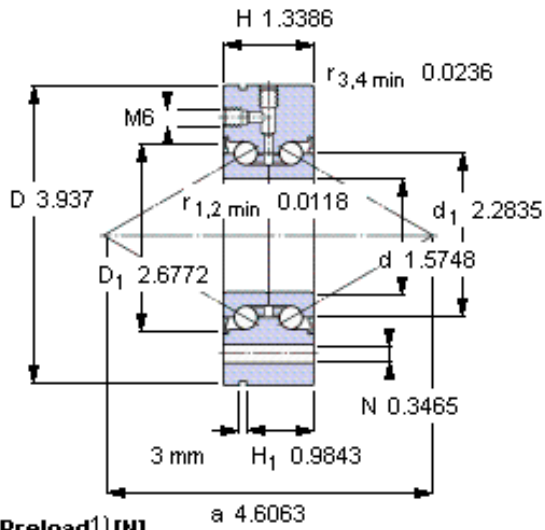
570

Required attachment bolts

(no. of bolts x pitch)

4 x 90°

参考资料: <http://www.sozhou.com/p/ee6127ea.html>



Preload¹⁾ [N]

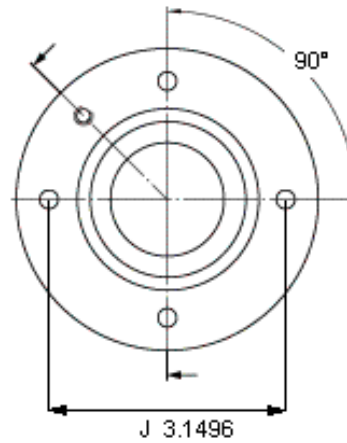
2250

Frictional moment¹⁾ [Nm]

(guideline value)

0,7

¹⁾ Values apply to unmounted bearings

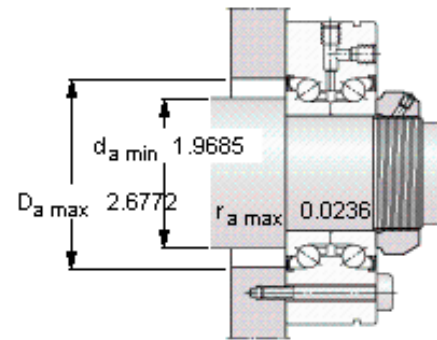


Static stiffness¹⁾

(guideline values)

Axial [N/μm] 2250

Moment [Nm/mrad] 570



Required attachment bolts

(no. of bolts x pitch)

4 x 90°