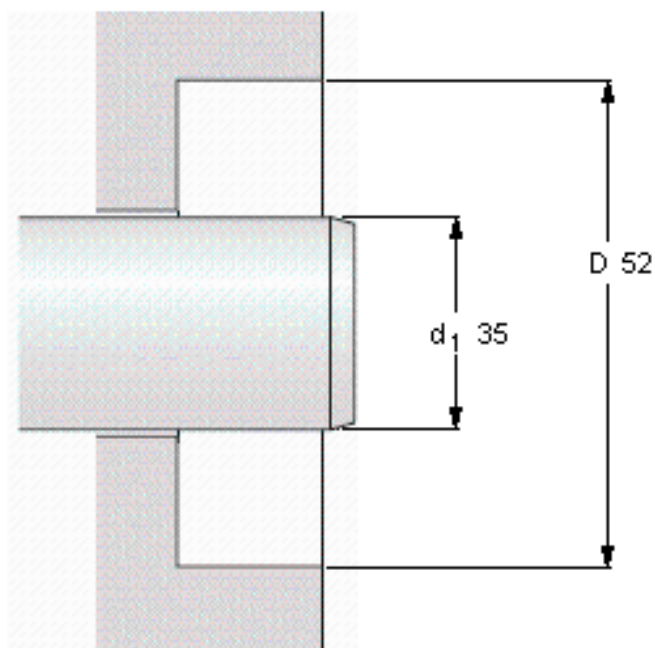
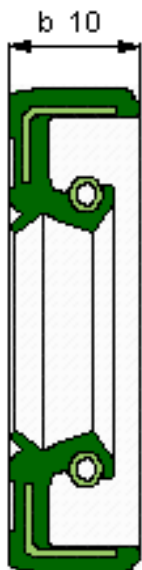


**SKF 35x52x10 HMSA10 RG参数**

主要尺寸	$d_1$	35	mm	-
	d1	52	mm	-
	b	10	mm	-
设计	设计	HMSA10	-	-
密封唇材料	密封唇材料	RG	-	-
Pressuredifferential [MPa/psi]	Pressure differential [MPa / psi]	0.03	-	-
型号	型号	35x52x10 HMSA10 RG	-	-
美国图纸编号	美国图纸编号	692421	-	-

**SKF 35x52x10 HMSA10 RG图片**



**Permissible operating temperature [°C / °F]**

最小	最大
-40 / -40	100 / 210
	short periods
	120 / 250

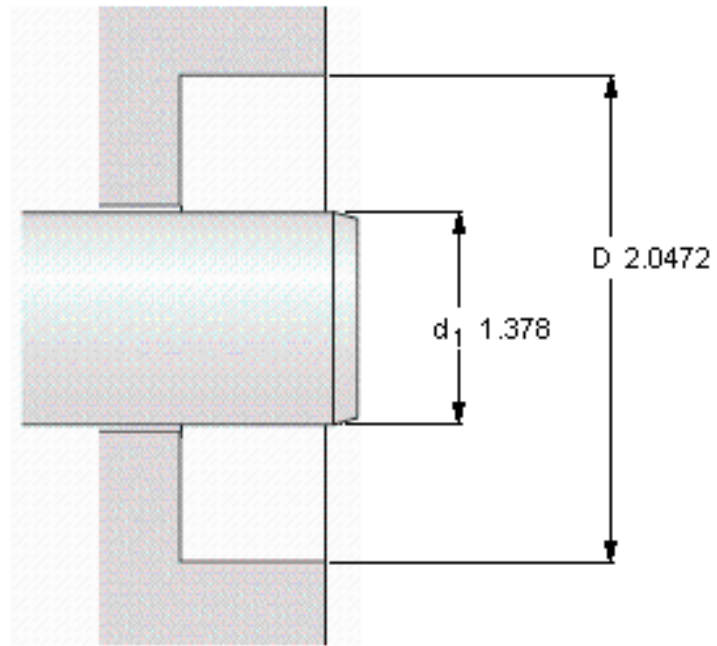
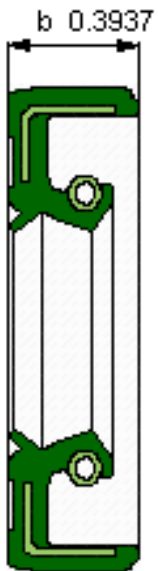
**Rotational speed [r/min]**

7639
<b>at circumferential speed [m/s / ft/s]</b>
14 / 45,92

**Pressure differential [MPa / psi]**

0,03 / 5

See also "Permissible speeds" and "Chemical and thermal resistance"



**Permissible operating temperature [°C / °F]**

最小	最大
-40 / -40	100 / 210
	short periods
	120 / 250

**Rotational speed [r/min]**

7639
<b>at circumferential speed [m/s / ft/s]</b>
14 / 45,92

**Pressure differential [MPa / psi]**

0,03 / 5

See also "Permissible speeds" and "Chemical and thermal resistance"

参考资料:<http://www.sozhou.com/p/c974997a.html>