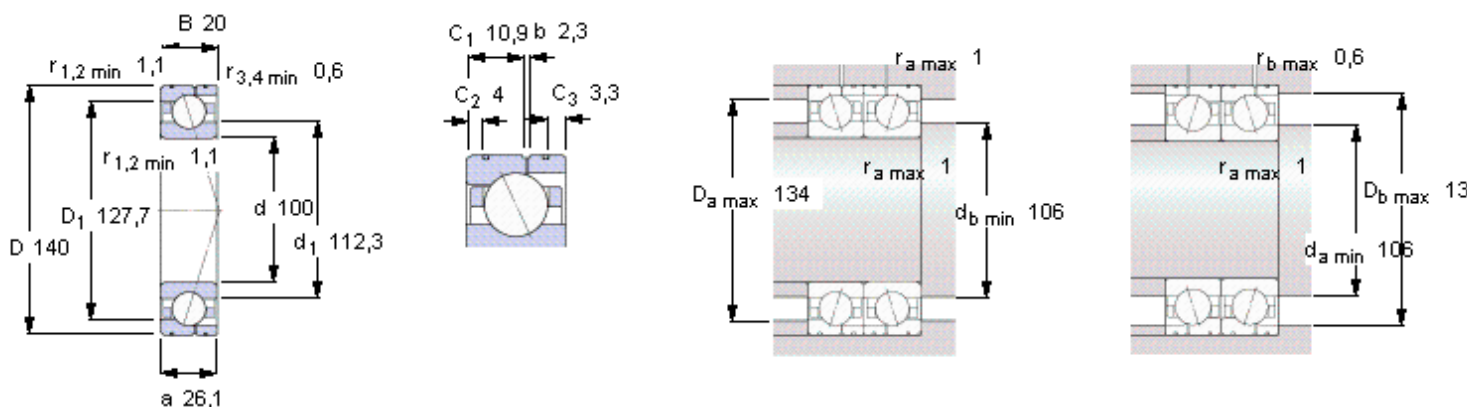


SKF 71920 CD/HCP4AL 参数

主要尺寸	d	100	mm	-
	D	140	mm	-
	B	20	mm	-
基本额定载荷	C	60500	N	动载荷
	C_0	65500	N	静载荷
疲劳载荷极限	P_u	2550	N	-
可达转速	Grease	11000	r/min	-
	Oil-air	17000	r/min	-
重量	重量	670	g	-
型号	型号	71920 CD/HCP4AL	-	-

SKF 71920 CD/HCP4AL 图片



Ball diameter 12,7

Number of balls 26

未安装时的预载荷 [N]

背对背配置，面对面配置

预载荷等级

A	B	C	D
230	460	920	1840

Static axial stiffness [N/μm]

(guideline value)

预载荷等级

A	B	C	D
119	164	232	340

Reference grease quantity [cm³]

G_{ref} 11

计算系数

for equivalent bearing load

f_0 16,3

for preload in mounted bearing sets

f 1,23

f_1 1

f_{2A} 1

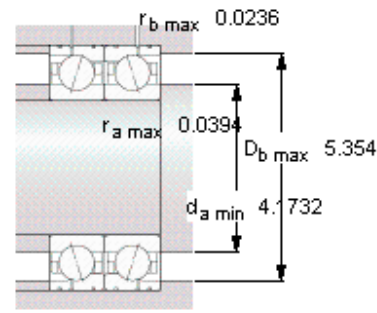
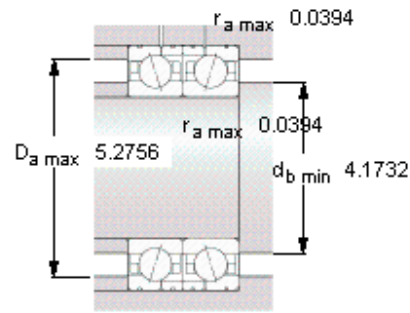
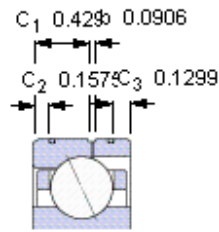
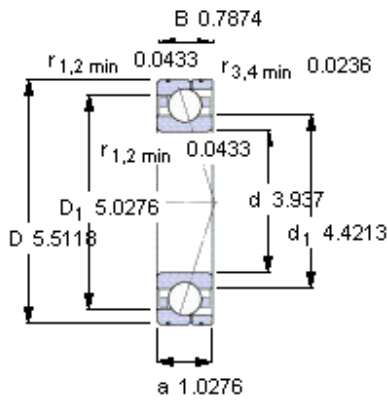
f_{2B} 1,07

f_{2C} 1,12

f_{2D} 1,18

f_{HC} 1,04

参考资料: <http://www.sozhou.com/p/c8b875fb.html>



Ball diameter 12,7

Number of balls 26

未安装时的预载荷 [N]

背对背配置，面对面配置

预载荷等级

A	B	C	D
230	460	920	1840

Static axial stiffness [N/μm]

(guideline value)

预载荷等级

A	B	C	D
119	164	232	340

Reference grease quantity [cm³]

G_{ref} 11

计算系数

for equivalent bearing load

f₀ 16,3

for preload in mounted bearing sets

f 1,23

f₁ 1

f_{2A} 1

f_{2B} 1,07

f_{2C} 1,12

f_{2D} 1,18

f_{HC} 1,04