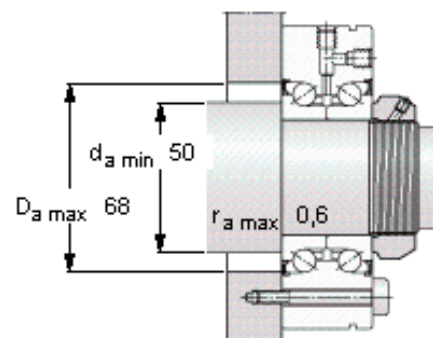
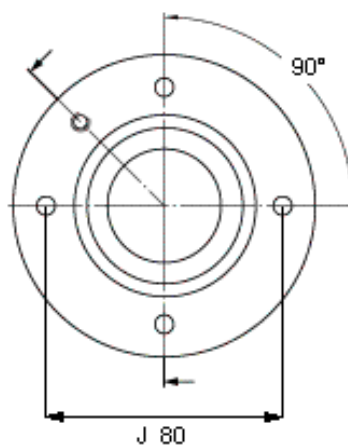
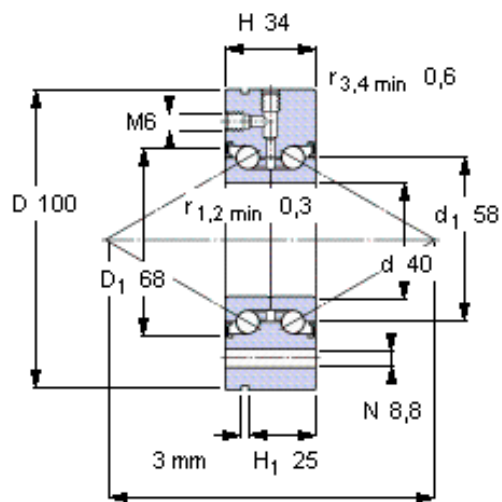


### SKF BEAM 040100-2RZ参数

主要尺寸	d	40	mm	-
	D	100	mm	-
	H	34	mm	-
基本额定载荷	C	43600	N	动载荷
	$C_0$	102000	N	静载荷
疲劳载荷极限	$P_u$	3750	N	-
可达转速	Attainable speed	3800	r/min	-
重量	重量	1450	g	-
型号	型号	BEAM 040100-2RZ	-	-

### SKF BEAM 040100-2RZ图片



**Preload<sup>1)</sup> [N]**

2250

**Frictional moment<sup>1)</sup> [Nm]**

(guideline value)

0,35

<sup>1)</sup> Values apply to unmounted bearings

**Static stiffness<sup>1)</sup>**

(guideline values)

Axial [N/μm]

2250

Moment [Nm/mrad]

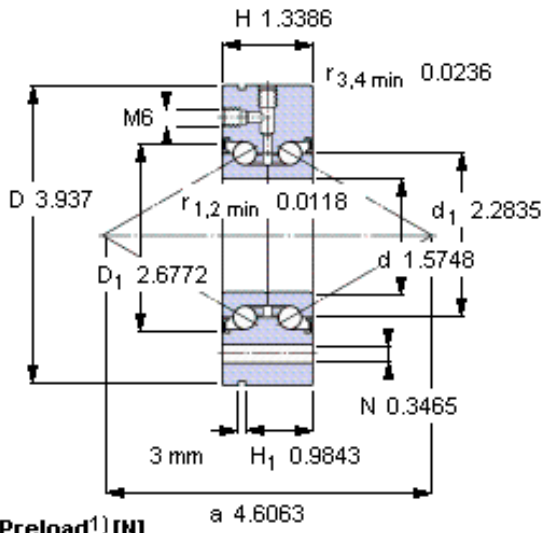
570

**Required attachment bolts**

(no. of bolts x pitch)

4 x 90°

参考资料: <http://www.sozhou.com/p/b78fa63c.html>



**Preload<sup>1)</sup> [N]**

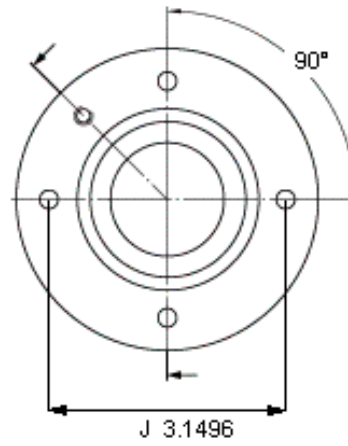
2250

**Frictional moment<sup>1)</sup> [Nm]**

(guideline value)

0,35

<sup>1)</sup> Values apply to unmounted bearings



**Static stiffness<sup>1)</sup>**

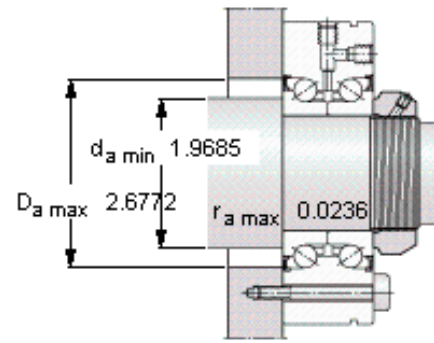
(guideline values)

Axial [N/μm]

2250

Moment [Nm/mrad]

570



**Required attachment bolts**

(no. of bolts x pitch)

4 x 90°